

# **Nikon**

# **AF-S NIKKOR**

# **24-70mm f/2.8G ED**

## **Nano Crystal Coat**

使用説明書	(P. 2–13)
Instruction Manual	(PP. 14–23)
Bedienungsanleitung	(S. 24–33)
Manuel d'utilisation	(P. 34–43)
Manual de instrucciones	(PP. 44–53)
Bruksanvisning	(S. 54–63)
Instructiehandleiding	(P. 64–73)
Manuale di istruzioni	(PP. 74–83)
使用说明书	(P. 84–93)
使用説明書	(P. 94–103)
사용설명서	(P. 104–115)

**Jp**

**En**

**De**

**Fr**

**Es**

**Se**

**Nl**

**It**

**Ck**

**Ch**

**Kr**

**CE**

# Notes on Safety Operations

---

## CAUTION

### **Do not disassemble**

Touching the internal parts of the camera or lens could result in injury. Repairs should be performed only by qualified technicians. Should the camera or lens break open as the result of a fall or other accident, take the product to a Nikon-authorized service representative for inspection after unplugging the product and/or removing the battery.

### **Turn off immediately in the event of malfunction**

Should you notice smoke or an unusual smell coming from the camera or lens, remove the battery immediately, taking care to avoid burns. Continued operation could result in injury. After removing or disconnecting the power source, take the equipment to a Nikon-authorized service representative for inspection.

### **Do not use the camera or lens in the presence of flammable gas**

If the electronic equipment is operated in the presence of flammable gas, it could result in an explosion or a fire.

### **Do not look at the sun through the lens or viewfinder**

Viewing the sun or other strong light sources through the lens or viewfinder could cause permanent visual impairment.

### **Keep out of reach of children**

Particular care should be taken to prevent infants from putting the batteries or other small parts into their mouths.

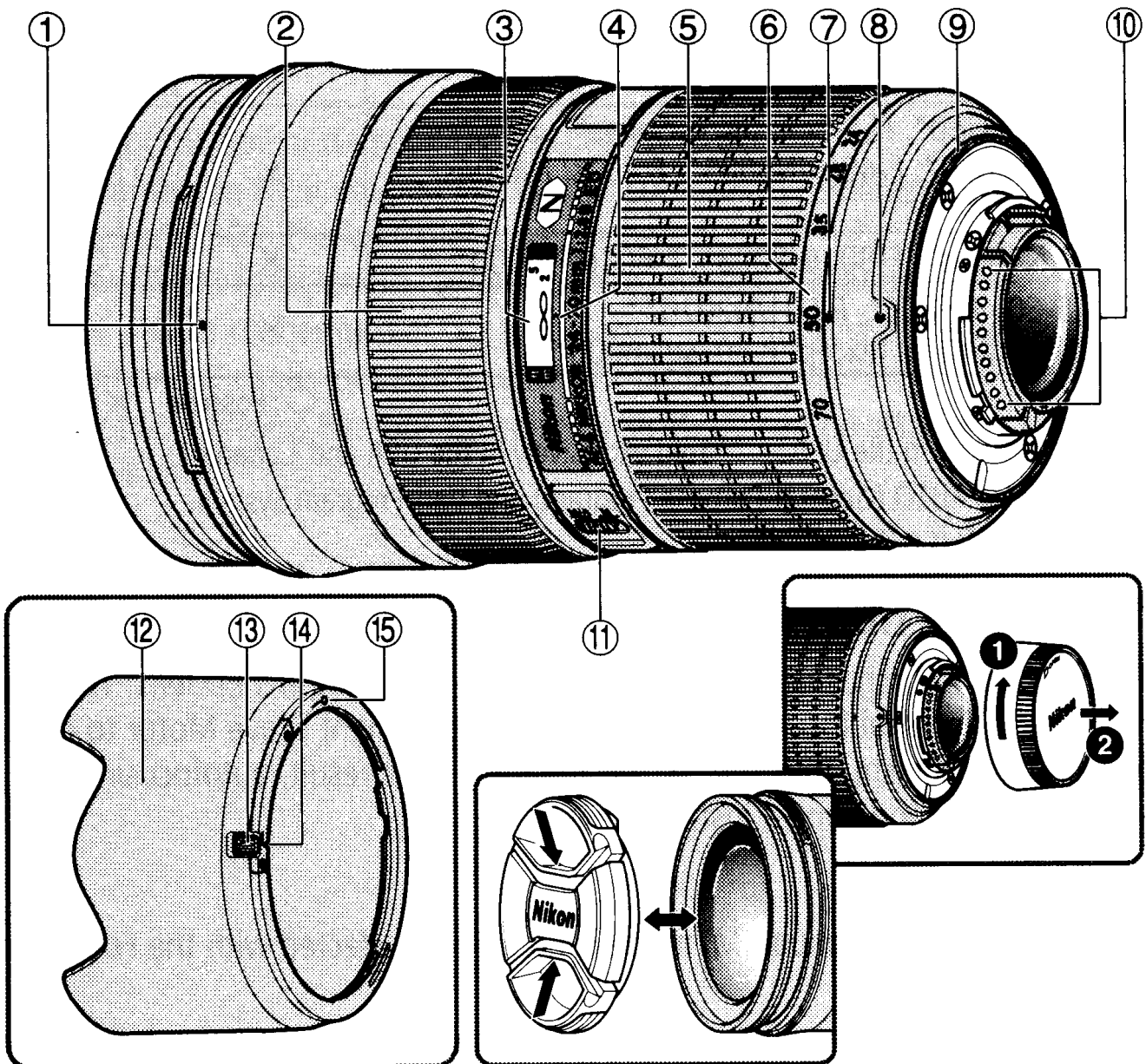
### **Observe the following precautions when handling the camera and lens**

- Keep the camera or lens unit dry. Failure to do so could result in a fire or electric shock.
- Do not handle or touch the unit with wet hands. Failure to do so could result in electric shock.
- In backlit shooting, keep the sun well out of the frame.  
The sunlight could focus into the lens body and cause a fire. When the sun gets close to the frame, it can also cause a fire.
- When the lens will not be used for a long time, attach both front and rear lens caps and store the lens away from direct sunlight. Failure to do so could result in a fire, as the lens might focus sunlight onto an object.

# Nomenclature ( ): Reference page

- ① Lens hood mounting index (p.19)
- ② Focus ring (p.18)
- ③ Distance scale
- ④ Distance index line
- ⑤ Zoom ring (p.19)
- ⑥ Focal length scale
- ⑦ Focal length index line
- ⑧ Mounting index
- ⑨ Lens mount rubber gasket (p.17)
- ⑩ CPU contacts (p.17)
- ⑪ Focus mode switch (p.18)
- ⑫ Lens hood (p.19)
- ⑬ Lens hood lock release button (p.19)
- ⑭ Lens hood attachment index (p.19)
- ⑮ Lens hood setting index (p.19)

En



## Usable cameras and available functions

There may be some restrictions or limitation for available functions. Refer to your camera instruction manual for details.

Cameras	Autofocus	Exposure mode			
		P*1	S	A	M
D3, D700, D2-Series, D1-Series, D300, D200, D100, D90, D80, D70-Series, D60, D50, D40-Series	○	○	○	○	○
F6, F5, F100, F80-Series/N80-Series*, F75-Series/N75-Series*, F65-Series/N65-Series*	○	○	○	○	○
Pronea 600i/6i*, Pronea S*2	○	○	○	○	○
F4-Series, F90X/ N90s*, F90-Series/N90*, F70-Series/N70*	○	○	○	×	×
F60-Series/ N60*, F55-Series/N55-Series*, F50-Series/N50*, F-401x/N5005*, F-401s/ N4004s*, F-401/N4004*	×	○	○	○	○
F-801s/N8008s*, F-801/N8008*, F-601M/N6000*	×	○	○	×	×
F3AF, F-601/N6006*, F-501/N2020**, Nikon MF cameras (except F-601M/N6000*)	×	×	×	×	×

○: Possible    ×: Impossible

\*Sold exclusively in the USA.    \*\*Sold exclusively in the USA and Canada.

\*1 P includes AUTO (General-Purpose Program) and Vari-Program System.

\*2 Manual (M) is not available.

## 1. Introduction

Thank you for purchasing the AF-S NIKKOR 24-70mm f/2.8G ED lens. This is a high-grade, internal focusing (IF) lens employing a Silent Wave Motor to drive the focusing mechanism, thus the "S" designation. As a result, autofocus is smooth, silent, and almost instantaneous.

### ■ Major features

- Autofocus (A) or manual (M) mode can easily be selected with the Focus mode switch.
- Autofocusing with manual override is provided, allowing instant change from autofocusing to manual focusing.

- More accurate exposure control is possible when this is mounted on a Nikon camera having 3D Matrix Metering capability, because subject distance information is transferred from the lens to the camera body.
- The use of three aspherical and three ED (extra-low dispersion) lens elements ensures sharp pictures virtually free of color fringing. Also, by utilizing a 9-blade diaphragm that produces a nearly circular aperture, out-of-focus images in front of or behind the subject are rendered as pleasing blurs.
- The Nano Crystal Coat deposited on some of the lens elements ensures that fine, clear images can be reproduced under various shooting conditions, from the sunny outdoors to spotlighted interior scenes.
- The closest focusing distance possible is 0.38m or 1.2 ft. (at 35mm – 50mm).

### ■ Important

- Be careful not to soil or damage the CPU contacts ⑩.
- When mounted on Nikon digital SLR (Nikon DX format) cameras, such as the D2-Series and D300, the lens' picture angle becomes 61°– 22°50' and its 35mm equivalent focal length range is approx. 36mm – 105mm.
- If the lens mount rubber gasket ⑨ is damaged, be sure to visit the nearest Nikon authorized dealer or service center for repair.
- A total of two Wireless Remote Speedlights SB-R200 can be attached to the front of the lens.

## 2. Focusing

Set your camera's focus mode selector according to this chart.

Cameras	Camera's focus mode	Lens' focus mode	
		M/A	M
D3, D700, D2-Series, D1-Series, D300, D200, D100, D90, D80, D70-Series, D60, D50, D40-Series, F6, F5, F4-Series, F100, F90X/ N90s*, F90-Series/N90*, F80-Series/N80-Series*, F75-Series/N75-Series*, F70-Series/N70*, F65-Series/N65-Series*, Pronea 600i/6i*, Pronea S	AF (C/S)	Autofocus with manual priority	Manual focus (Focus assist is available.)
	MF	Manual focus (Focus assist is available.)	
F60-Series/N60*, F55-Series/N55-Series*, F50-Series/N50*, F-801s/N8008s*, F-801/N8008*, F-601M/N6000*, F-401x/N5005*, F-401s/ N4004s*, F-401/N4004*	AF (C/S) MF	Manual focus (Focus assist is available, except with the F-601M/N6000*.)	

\* Sold exclusively in the USA.

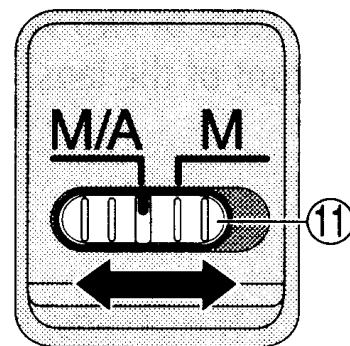
### ■ Autofocus with manual override (M/A mode)

1 Set the Focus mode switch ⑪ to [M/A].

Note: Be sure to set the switch so that the indicator aligns with [M/A] precisely.

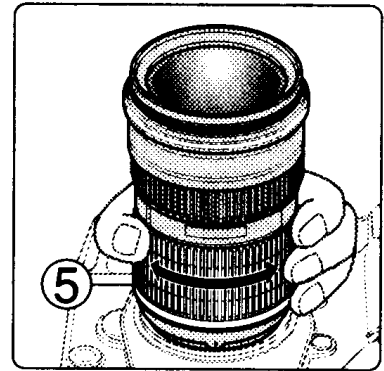
2 Autofocus is provided, but you can manually override the focus by operating the separate Focus ring ② while lightly depressing the shutter release button or the AF start (AF-ON) button on the camera.

3 To cancel manual override, again lightly depress the shutter release button or the AF start button on the camera. This will return the camera to autofocus mode.



### 3. Focusing, zooming, and depth of field (p.116)

First turn the zoom ring ⑤ until the desired composition is framed in the viewfinder before focusing. If your camera has a depth of field preview (stop-down) button or lever, depth of field can be observed while looking through the camera viewfinder.



En

### 4. Setting the aperture

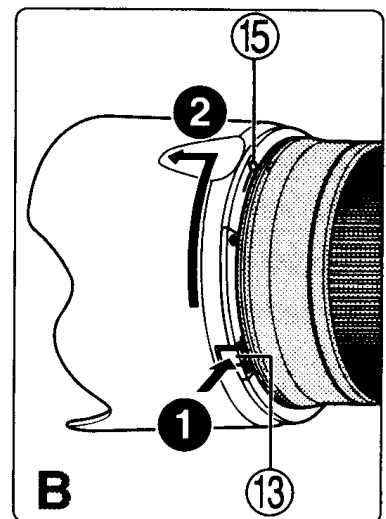
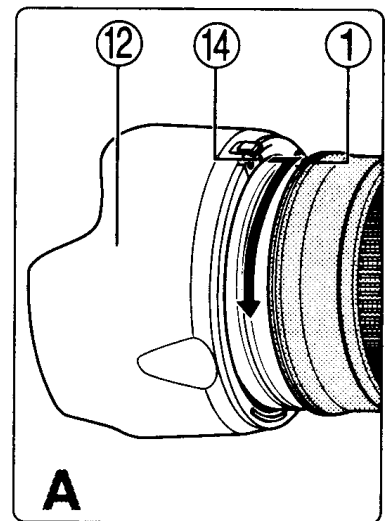
Set the aperture on the camera body.

### 5. Using bayonet hood HB-40 ⑫

#### ■Attaching the hood (Fig. A)

Align the lens hood attachment index (♣) ⑭ on the hood with the lens hood mounting index ① on the lens, and turn the hood ⑫ clockwise until it click stops to secure.

- Make sure that the lens hood mounting index ① aligns with the lens hood setting index (—○) ⑮.
- If the lens hood is not correctly attached, vignetting can occur.
- To facilitate attachment or removal of the hood, hold it by its base (around the lens hood attachment index ⑭) rather than its outer edge.
- To store the lens hood, attach it in the reverse position.



#### ■Detaching the hood (Fig. B)

While pressing the lens hood lock release button ⑬, turn the lens hood ⑫ counterclockwise to detach.

## 6. Taking flash pictures using cameras with a built-in flash

Vignetting is the darkening of the corners around the image that occurs when the light emitted from the flash is obstructed by the lens hood, or lens barrel depending on the focal length or shooting distance.

En

Cameras	Usable focal length / Shooting distance
D300	<ul style="list-style-type: none"> <li>• 28mm / 3m (9.9 ft.) or greater</li> <li>• 35mm / 1m (3.3 ft.) or greater</li> <li>• 50mm or longer / No restriction</li> </ul>
D200	<ul style="list-style-type: none"> <li>• 28mm / 2m (6.6 ft.) or greater</li> <li>• 35mm / 1m (3.3 ft.) or greater</li> <li>• 50mm or longer / No restriction</li> </ul>
D100	<ul style="list-style-type: none"> <li>• 28mm / 2.5m (8.2 ft.) or greater</li> <li>• 35mm / 1m (3.3 ft.) or greater</li> <li>• 50mm or longer / No restriction</li> </ul>
D700, D80, D70-Series, D50	<ul style="list-style-type: none"> <li>• 35mm / 1m (3.3 ft.) or greater</li> <li>• 50mm or longer / No restriction</li> </ul>
D90	<ul style="list-style-type: none"> <li>• 35mm / 1.5m (4.9 ft.) or greater</li> <li>• 50mm or longer / No restriction</li> </ul>
D60, D40-Series	<ul style="list-style-type: none"> <li>• 35mm / 1.5m (4.9 ft.) or greater</li> <li>• 50mm / 1m (3.3 ft.) or greater</li> <li>• 70mm or longer / No restriction</li> </ul>
F80-Series/N80-Series*	<ul style="list-style-type: none"> <li>• 50mm / 1m (3.3 ft.) or greater</li> <li>• 70mm or longer / No restriction</li> </ul>
F75-Series/N75-Series*, F70-Series/N70*, Pronea 600i/6i*	<ul style="list-style-type: none"> <li>• 50mm / 1.5m (4.9 ft.) or greater</li> <li>• 70mm / 1m (3.3 ft.) or greater</li> </ul>
F60-Series/N60*	<ul style="list-style-type: none"> <li>• 70mm / 1m (3.3 ft.) or greater</li> </ul>
F65-Series/N65-Series*, 55-Series/N55-Series*, F50-Series/N50*	<ul style="list-style-type: none"> <li>• 70mm / 1.5m (4.9 ft.) or greater</li> </ul>

\* Sold exclusively in the USA.

- Pronea S: Vignetting occurs at any focal length and shooting distance. Using this lens is not recommended.



## 7. Recommended focusing screens

Various interchangeable focusing screens are available for certain Nikon SLR cameras to suit any picture-taking situation. The ones recommended for use with this lens are:

Screen Camera	A	B	C	E	EC-B EC-E	F	G1 G2 G4	G3	J	K	L	M	P	U
<b>F6</b>	⊙	⊙	—	⊙	—	—		—	⊙	—	⊙		—	
<b>F5+DP-30</b>	⊙	⊙	○	⊙	⊙	—		○	⊙	—	⊙		—	
<b>F5+DA-30</b>	⊙	⊙	○	⊙	⊙	—		⊙	⊙	—	⊙		—	
<b>F4+DP-20</b>	—	⊙		⊙	—				⊙	⊙	—		⊙	
<b>F4+DA-20</b>	—	⊙		⊙	—				⊙	⊙	—		⊙	

⊙: Excellent focusing

○: Acceptable focusing

Slight vignetting or moiré patterns appear in the viewfinder, but not on the film.

—: Not available.

Blank box means not applicable. Since type M screen can be used for both macrophotography at a 1:1 magnification ratio and for photomicrography, it has different applications than other screens.

- When using the B and E focusing screens in cameras other than those listed above, refer to the columns for the B and E screens.

## 8. Lens care

- Clean the lens surfaces with a blower brush. To remove dirt and smudges, use a soft, clean cotton cloth or lens tissue moistened with ethanol (alcohol) or lens cleaner. Wipe in a circular motion from center to outer edge, taking care not to leave traces or touch other parts of the lens.
- Never use thinner or benzene to clean the lens as this might damage it, result in a fire, or cause health problems.
- To protect the front lens element, an NC filter is recommended at all times. A lens hood also helps protect the front of the lens.
- When storing the lens in its lens case, attach both front and rear caps.

- When the lens will not be used for a long time, store it in a cool, dry place to prevent mold. Also store the lens away from direct sunlight or chemicals such as camphor or naphthalene.
- Do not get water on the lens or drop it in water as this will cause it to rust and malfunction.
- Reinforced plastic is used for certain parts of the lens. To avoid damage, never leave the lens in an excessively hot place.

## 9. Standard accessories

- 77mm snap-on front lens cap LC-77 • Rear lens cap LF-1
- Bayonet hood HB-40 • Flexible lens pouch CL-M3

## 10. Optional accessories

- 77mm screw-in filters

## 11. Incompatible accessories

- Teleconverters (all models) • Auto Ring BR-2A/BR-4 and all models of Auto Extension Ring PK, K Ring, and Bellows focusing attachment

Other accessories may not be suitable for use with this lens. For details, carefully read your accessories instruction manual.

## 12. Specifications

<b>Type of lens:</b>	G-type AF-S Zoom-Nikkor lens with built-in CPU and Some Nikon bayonet mount
<b>Focal length:</b>	24mm–70mm
<b>Maximum aperture:</b>	f/2.8
<b>Lens construction:</b>	15 elements in 11 groups (3 ED, 3 aspherical and some Nano Crystal Coat-deposited lens elements)
<b>Picture angle:</b>	84° – 34°20' with 35 mm (135) format Nikon film-SLR cameras and Nikon FX format digital SLR cameras 61° – 22°50' with Nikon DX format digital SLR cameras 71° – 27°40' with IX240 system cameras

<b>Focal length scale:</b>	24, 28, 35, 50, 70mm
<b>Distance information:</b>	Output to camera body
<b>Zoom control:</b>	Manually via separate zoom ring
<b>Focusing:</b>	Nikon Internal Focusing (IF) system (utilizing an internal Silent Wave Motor); manually via separate focus ring
<b>Shooting distance scale:</b>	Graduated in meters and feet from 0.38m (1.5 ft.) to infinity ( $\infty$ )
<b>Closest focus distance:</b>	0.41m (1.3 ft.) at 24mm, 0.39m (1.2 ft.) at 28mm, 0.38m (1.2 ft.) at 35mm – 50mm, 0.40m (1.3 ft.) at 70mm
<b>No. of diaphragm blades:</b>	9 pcs. (rounded)
<b>Diaphragm:</b>	Fully automatic
<b>Aperture range:</b>	f/2.8 – 22
<b>Exposure measurement:</b>	Via full-aperture method
<b>Attachment size:</b>	77mm (P = 0.75mm)
<b>Dimensions:</b>	Approx. 83mm dia. x 133mm extension from the camera's lens mount flange
<b>Weight:</b>	Approx. 900g (31.7 oz)

*Specifications and designs are subject to change without any notice or obligation on the part of the manufacturer.*

■ 被写界深度表 ■ Depth of field ■ Schärfentieftabelle ■ Profondeur de champ  
 ■ Profundidad de campo ■ Skärpedjup ■ Scherptediepte ■ Profondità di campo  
 ■ 景深刻度表 ■ 景深刻度表 ■ 초점 심도

(m)

	被写界深度 Depth of field Schärfentieftabelle Profondeur de champ Profundidad de campo Skärpedjup Scherptediepte Profondità di campo 景深 景深 초점 심도			撮影倍率 Reproduction ratio Abbildungsmaßstab Rapport de reproduction Relación de reproducción Avbildnings skala Afbeeldingsverhouding Rapporto di riproduzione 成像比 成像比 복사율				
	f/2.8	f/4	f/5.6	f/8	f/11	f/16	f/22	
<b>[f = 24mm]</b>								
(0.41)	0.40 - 0.43	0.40 - 0.43	0.39 - 0.44	0.38 - 0.45	0.38 - 0.47	0.36 - 0.51	0.35 - 0.56	1/10.73
0.5	0.48 - 0.52	0.47 - 0.53	0.46 - 0.55	0.45 - 0.57	0.44 - 0.60	0.42 - 0.68	0.39 - 0.80	1/14.15
0.7	0.65 - 0.76	0.64 - 0.78	0.62 - 0.82	0.59 - 0.89	0.56 - 0.99	0.52 - 1.27	0.48 - 2.03	1/22.22
1	0.90 - 1.14	0.86 - 1.20	0.82 - 1.31	0.77 - 1.53	0.71 - 1.96	0.64 - 3.93	0.57 - ∞	1/34.33
2	1.58 - 2.79	1.47 - 3.28	1.33 - 4.49	1.17 - 10.54	1.03 - ∞	0.86 - ∞	0.73 - ∞	1/74.40
∞	6.48 - ∞	4.78 - ∞	3.46 - ∞	2.47 - ∞	1.85 - ∞	1.32 - ∞	1.01 - ∞	1/∞
<b>[f = 28mm]</b>								
(0.39)	0.38 - 0.40	0.38 - 0.40	0.38 - 0.41	0.37 - 0.42	0.36 - 0.43	0.35 - 0.45	0.34 - 0.48	1/8.85
0.5	0.48 - 0.52	0.48 - 0.52	0.47 - 0.54	0.46 - 0.55	0.45 - 0.58	0.43 - 0.63	0.41 - 0.70	1/12.65
0.7	0.66 - 0.74	0.65 - 0.76	0.63 - 0.79	0.61 - 0.84	0.58 - 0.91	0.54 - 1.07	0.51 - 1.39	1/19.80
1	0.92 - 1.11	0.89 - 1.15	0.85 - 1.23	0.80 - 1.37	0.75 - 1.61	0.68 - 2.33	0.62 - 5.54	1/30.51
2	1.65 - 2.57	1.55 - 2.88	1.43 - 3.52	1.28 - 5.36	1.14 - 16.74	0.97 - ∞	0.83 - ∞	1/66.22
∞	8.23 - ∞	6.05 - ∞	4.37 - ∞	3.11 - ∞	2.31 - ∞	1.64 - ∞	1.24 - ∞	1/∞

	f/2.8	f/4	f/5.6	f/8	f/11	f/16	f/22	
<b>[f = 35mm]</b>								
0.38	0.37 – 0.39	0.37 – 0.39	0.37 – 0.39	0.37 – 0.40	0.36 – 0.40	0.35 – 0.41	0.35 – 0.43	1/6.84
0.5	0.49 – 0.51	0.49 – 0.52	0.48 – 0.52	0.47 – 0.53	0.46 – 0.55	0.45 – 0.58	0.43 – 0.61	1/10.27
0.7	0.67 – 0.73	0.67 – 0.74	0.65 – 0.76	0.64 – 0.78	0.62 – 0.82	0.59 – 0.90	0.55 – 1.02	1/15.98
1	0.94 – 1.07	0.92 – 1.09	0.90 – 1.14	0.86 – 1.21	0.82 – 1.32	0.76 – 1.56	0.70 – 2.02	1/24.55
2	1.76 – 2.33	1.68 – 2.48	1.58 – 2.76	1.46 – 3.31	1.33 – 4.47	1.16 – 11.20	1.02 – ∞	1/53.12
∞	12.76 – ∞	9.36 – ∞	6.73 – ∞	4.76 – ∞	3.51 – ∞	2.46 – ∞	1.83 – ∞	1/∞
<b>[f = 50mm]</b>								
0.38	0.38 – 0.38	0.38 – 0.38	0.37 – 0.39	0.37 – 0.39	0.37 – 0.39	0.37 – 0.40	0.36 – 0.40	1/4.82
0.5	0.49 – 0.51	0.49 – 0.51	0.49 – 0.51	0.48 – 0.52	0.48 – 0.52	0.47 – 0.53	0.46 – 0.55	1/7.22
0.7	0.69 – 0.71	0.68 – 0.72	0.68 – 0.73	0.67 – 0.74	0.65 – 0.76	0.64 – 0.78	0.62 – 0.82	1/11.22
1	0.97 – 1.03	0.96 – 1.04	0.95 – 1.06	0.92 – 1.09	0.90 – 1.13	0.86 – 1.21	0.82 – 1.32	1/17.22
2	1.87 – 2.15	1.83 – 2.21	1.77 – 2.31	1.69 – 2.48	1.59 – 2.73	1.46 – 3.29	1.34 – 4.42	1/37.22
∞	25.88 – ∞	18.94 – ∞	13.58 – ∞	9.55 – ∞	6.99 – ∞	4.86 – ∞	3.58 – ∞	1/∞
<b>[f = 70mm]</b>								
(0.4)	0.40 – 0.40	0.40 – 0.40	0.40 – 0.40	0.39 – 0.40	0.39 – 0.41	0.39 – 0.41	0.39 – 0.41	1/3.74
0.5	0.50 – 0.50	0.50 – 0.50	0.49 – 0.51	0.49 – 0.51	0.49 – 0.51	0.48 – 0.52	0.48 – 0.53	1/5.22
0.7	0.69 – 0.71	0.69 – 0.71	0.69 – 0.71	0.68 – 0.72	0.67 – 0.73	0.66 – 0.74	0.65 – 0.76	1/8.16
1	0.98 – 1.02	0.98 – 1.02	0.97 – 1.03	0.96 – 1.05	0.94 – 1.07	0.92 – 1.10	0.89 – 1.15	1/12.59
2	1.93 – 2.08	1.90 – 2.11	1.87 – 2.16	1.81 – 2.23	1.75 – 2.34	1.66 – 2.53	1.57 – 2.83	1/27.33
∞	47.52 – ∞	34.74 – ∞	24.87 – ∞	17.47 – ∞	12.75 – ∞	8.83 – ∞	6.47 – ∞	1/∞

- ニコン内焦方式は、通常のレンズと異なるため、至近距離になると焦点距離が若干短くなります。
- Due to the optical characteristics of this lens, as the lens is focused closer, the focal length slightly decreases.
- Aufgrund der optischen Eigenschaften dieses Objektivs ergibt sich bei Nahfokussierung eine leichte Verringerung der Brennweite.
- La focale décroît légèrement à mesure que la mise au point de l'objectif se fait plus près, à cause des caractéristiques optiques de cet objectif.
- Debido a las características ópticas de este objetivo, según se enfoca más cerca con el objetivo, la distancia focal disminuye ligeramente.
- Brännvidden minskar något på grund av objektivets optiska egenskaper, till exempel att objektivet fokuserar närmare.
- Vanwege de optische kenmerken van dit objectief neemt de brandpuntsafstand iets af wanneer het objectief dichterbij scherpstelt. dichterbij scherpstelt.
- A causa delle caratteristiche ottiche di questo obiettivo, la lunghezza focale si riduce leggermente a distanze di messa a fuoco inferiori.
- 由于本镜头是光字符读出，近距离对焦时，焦距可缩短。
- 由於本鏡頭是光字符讀出，近距離對焦時，焦距可縮短。
- 이 렌즈의 광학적 특성으로 인해 초점이 가까울수록 초점 거리가 미세하게 줄어듭니다.

# Depth of field

(ft.)

Focused distance	Depth of field						Reproduction ratio	
	f/2.8	f/4	f/5.6	f/8	f/11	f/16	f/22	
<b>[f = 24mm]</b>								
1.5	1 ft. 5-6/16 in.	1 ft. 5-3/16 in.	1 ft. 4-15/16 in.	1 ft. 4-7/16 in.	1 ft. 3-15/16 in.	1 ft. 3-6/16 in.	1 ft. 2-10/16 in.	1/12.43
	— 1 ft. 6-12/16 in.	— 1 ft. 6-15/16 in.	— 1 ft. 7-5/16 in.	— 1 ft. 8-1/16 in.	— 1 ft. 9 in.	— 1 ft. 11-1/16 in.	— 2 ft. 2-6/16 in.	
2	1 ft. 10-11/16 in.	1 ft. 10-5/16 in.	1 ft. 9-12/16 in.	1 ft. 8-14/16 in.	1 ft. 7-15/16 in.	1 ft. 6-12/16 in.	1 ft. 5-8/16 in.	1/18.58
	— 2 ft. 1-9/16 in.	— 2 ft. 2-3/16 in.	— 2 ft. 3-2/16 in.	— 2 ft. 4-15/16 in.	— 2 ft. 7-9/16 in.	— 3 ft. 1-11/16 in.	— 4 ft. 2-12/16 in.	
3	2 ft. 8-10/16 in.	2 ft. 7-9/16 in.	2 ft. 6-4/16 in.	2 ft. 4-5/16 in.	2 ft. 2-6/16 in.	1 ft. 11-14/16 in.	1 ft. 9-10/16 in.	1/30.88
	— 3 ft. 4-5/16 in.	— 3 ft. 6-4/16 in.	— 3 ft. 9-10/16 in.	— 4 ft. 3-15/16 in.	— 5 ft. 3-10/16 in.	— 8 ft. 10-1/16 in.	— 81 ft. 9-15/16 in.	
5	4 ft. 2-3/16 in.	3 ft. 11-6/16 in.	3 ft. 7-15/16 in.	3 ft. 3-12/16 in.	2 ft. 11-8/16 in.	2 ft. 6-10/16 in.	2 ft. 2-8/16 in.	1/55.48
	— 6 ft. 3-8/16 in.	— 6 ft. 11-12/16 in.	— 8 ft. 4-9/16 in.	— 12 ft. 1-13/16 in.	— 29 ft. 10-3/16 in.	— ∞	— ∞	
∞	21 ft. 3-4/16 in.	15 ft. 8-3/16 in.	11 ft. 4-5/16 in.	8 ft. 1-7/16 in.	6 ft. 12/16 in.	4 ft. 4-1/16 in.	3 ft. 3-12/16 in.	1/∞
	— ∞	— ∞	— ∞	— ∞	— ∞	— ∞	— ∞	
<b>[f = 28mm]</b>								
1.5	1 ft. 5-8/16 in.	1 ft. 5-4/16 in.	1 ft. 5-1/16 in.	1 ft. 4-13/16 in.	1 ft. 4-5/16 in.	1 ft. 3-12/16 in.	1 ft. 3-2/16 in.	1/11.12
	— 1 ft. 6-10/16 in.	— 1 ft. 6-12/16 in.	— 1 ft. 7-1/16 in.	— 1 ft. 7-9/16 in.	— 1 ft. 8-6/16 in.	— 1 ft. 9-12/16 in.	— 1 ft. 11-14/16 in.	
2	1 ft. 10-15/16 in.	1 ft. 10-9/16 in.	1 ft. 10-1/16 in.	1 ft. 9-6/16 in.	1 ft. 8-10/16 in.	1 ft. 7-7/16 in.	1 ft. 6-6/16 in.	1/16.57
	— 2 ft. 1-3/16 in.	— 2 ft. 1-11/16 in.	— 2 ft. 2-6/16 in.	— 2 ft. 3-12/16 in.	— 2 ft. 5-8/16 in.	— 2 ft. 9-6/16 in.	— 3 ft. 4-3/16 in.	
3	2 ft. 9-4/16 in.	2 ft. 8-6/16 in.	2 ft. 7-3/16 in.	2 ft. 5-10/16 in.	2 ft. 3-13/16 in.	2 ft. 1-7/16 in.	1 ft. 11-4/16 in.	1/27.45
	— 3 ft. 3-6/16 in.	— 3 ft. 4-13/16 in.	— 3 ft. 7-1/16 in.	— 3 ft. 11-6/16 in.	— 4 ft. 6-4/16 in.	— 6 ft. 15/16 in.	— 10 ft. 11-14/16 in.	
5	4 ft. 3-15/16 in.	4 ft. 1-9/16 in.	3 ft. 10-7/16 in.	3 ft. 6-10/16 in.	3 ft. 2-10/16 in.	2 ft. 9-12/16 in.	2 ft. 5-6/16 in.	1/49.22
	— 5 ft. 11-8/16 in.	— 6 ft. 5-3/16 in.	— 7 ft. 3-8/16 in.	— 9 ft. 2-6/16 in.	— 13 ft. 11-1/16 in.	— 150 ft. 4-15/16 in.	— ∞	
8	27 ft.	19 ft. 10-5/16 in.	14 ft. 4-1/16 in.	10 ft. 2-6/16 in.	7 ft. 6-13/16 in.	5 ft. 4-7/16 in.	4 ft. 12/16 in.	1/∞
	— ∞	— ∞	— ∞	— ∞	— ∞	— ∞	— ∞	





	f/2.8	f/4	f/5.6	f/8	f/11	f/16	f/22	
[f = 70mm]								
1.5	1 ft. 5-14/16 in. — 1 ft. 6-2/16 in.	1 ft. 5-14/16 in. — 1 ft. 6-2/16 in.	1 ft. 5-12/16 in. — 1 ft. 6-4/16 in.	1 ft. 5-12/16 in. — 1 ft. 6-4/16 in.	1 ft. 5-10/16 in. — 1 ft. 6-6/16 in.	1 ft. 5-8/16 in. — 1 ft. 6-10/16 in.	1 ft. 5-4/16 in. — 1 ft. 6-13/16 in.	1/4.59
2	1 ft. 11-12/16 in. — 2 ft. 4/16 in.	1 ft. 11-12/16 in. — 2 ft. 4/16 in.	1 ft. 11-10/16 in. — 2 ft. 6/16 in.	1 ft. 11-6/16 in. — 2 ft. 10/16 in.	1 ft. 11-4/16 in. — 2 ft. 13/16 in.	1 ft. 10-15/16 in. — 2 ft. 1-3/16 in.	1 ft. 10-9/16 in. — 2 ft. 1-11/16 in.	1/6.83
3	2 ft. 11-8/16 in. — 3 ft. 10/16 in.	2 ft. 11-4/16 in. — 3 ft. 12/16 in.	2 ft. 11-1/16 in. — 3 ft. 1-1/16 in.	2 ft. 10-9/16 in. — 3 ft. 1-9/16 in.	2 ft. 10-1/16 in. — 3 ft. 2-3/16 in.	2 ft. 9-6/16 in. — 3 ft. 3-4/16 in.	2 ft. 8-8/16 in. — 3 ft. 4-11/16 in.	1/11.32
5	4 ft. 10-7/16 in. — 5 ft. 1-11/16 in.	4 ft. 9-13/16 in. — 5 ft. 2-6/16 in.	4 ft. 9 in. — 5 ft. 3-6/16 in.	4 ft. 7-13/16 in. — 5 ft. 4-15/16 in.	4 ft. 6-8/16 in. — 5 ft. 7-1/16 in.	4 ft. 4-3/16 in. — 5 ft. 10-15/16 in.	4 ft. 1-15/16 in. — 6 ft. 4-5/16 in.	1/20.31
$\infty$	155 ft. 10-15/16 in. — $\infty$	113 ft. 11-12/16 in. — $\infty$	81 ft. 7-1/16 in. — $\infty$	57 ft. 3-10/16 in. — $\infty$	41 ft. 10-1/16 in. — $\infty$	28 ft. 11-8/16 in. — $\infty$	21 ft. 2-12/16 in. — $\infty$	1/ $\infty$

- Due to the optical characteristics of this lens, as the lens is focused closer, the focal length slightly decreases.

# ***Nikon***

使用説明書の内容が破損などによって判読できなくなったときは、  
ニコンサービス機関にて新しい使用説明書をお求めください(有料)。

No reproduction in any form of this manual, in whole or in part (except for brief quotation in critical articles or reviews), may be made without written authorization from NIKON CORPORATION.

## **NIKON CORPORATION**

FUJI BLDG., 2-3, MARUNOUCHI 3-CHOME, CHIYODA-KU,  
TOKYO 100-8331, JAPAN

# Nikon®

- **Return this card to register your purchase and enter our \$100,000 Give Away VI • One winner of fifty thousand dollars • One winner of twenty-five thousand dollars • Five winners of five thousand dollars each •**

**Register online at [www.prodregister.com/nikon](http://www.prodregister.com/nikon)**

**Accessories  
Product Registration**

**Please send products and other  
correspondence to:**

Nikon Inc.  
1300 Walt Whitman Rd.  
Melville, NY 11747  
Attn: Marketing Services Department

**TNR01-01**



**First-Class  
Postage  
Required**

Post Office will  
not deliver  
without proper  
postage.

***Nikon***<sup>®</sup>

**PO BOX 173031  
DENVER CO 80217-3031**



Please fold here.

Please check all that apply to your household.

- 01.  Shop by Catalog/Mail
- 02.  Shop via the Internet
- 03.  Member of Frequent Flyer Program
- 04.  Donate to Charitable Causes
- 05.  Own a Compact Disc Player
- 06.  Have a Dog
- 07.  Have a Cat
- 08.  Own a Wireless/Cellular Phone
- 09.  Subscribe to an Online/Internet Service
- 10.  Speak Spanish
- 11.  Own an Apple/Macintosh Computer
- 12.  Own a CD-ROM Drive
- 13.  Home Workshop/Do-It-Yourself

To help us understand our customers' lifestyles, please indicate the interests and activities in which you or your spouse enjoy participating on a regular basis.

- 01.  Bicycling
- 02.  Golf
- 03.  Physical Fitness/Exercise
- 04.  Running/Jogging
- 05.  Snow Skiing
- 06.  Tennis
- 07.  Camping/Hiking
- 08.  Fishing
- 09.  Hunting/Shooting
- 10.  Power Boating
- 11.  Sailing
- 12.  Grandchildren
- 13.  Needlework/Knitting
- 14.  Sewing
- 15.  Flower Gardening
- 16.  Vegetable Gardening
- 17.  Crafts
- 18.  Buy Prerecorded Videos/DVDs
- 19.  Automotive Work
- 20.  Electronics
- 21.  Recreation Vehicles (RVs)
- 22.  Listen to Records/Tapes/CDs
- 23.  Avid Book Reading
- 24.  Bible/Devotional Reading
- 25.  Health/Natural Foods
- 26.  Photography
- 27.  Cultural/Arts Events
- 28.  Fashion Clothing
- 29.  Art/Antique Collecting
- 30.  Foreign Travel
- 31.  Cruise Ship Vacations
- 32.  Travel in USA
- 33.  Gourmet Cooking/Fine Foods
- 34.  NASCAR
- 35.  Wines
- 36.  Stamp/Coin Collecting
- 37.  Collectibles
- 38.  Our Nation's Heritage
- 39.  Real Estate Investments
- 40.  Stocks/Bond Investments
- 41.  Contests/Sweepstakes
- 42.  Casino Gambling
- 43.  Science Fiction
- 44.  Wildlife/Environmental Issues
- 45.  Dieting/Weight Control
- 46.  Science/New Technology
- 47.  Self-Improvement
- 48.  Walking for Health
- 49.  Watching Sports on TV
- 50.  Home Video Recording
- 51.  Moneymaking Opportunities

Using the numbers in the above list, please indicate your 3 most important activities:

--	--	--

Thanks for taking the time to fill out this questionnaire. Your answers will be used for market research studies and reports. They will also allow you to receive important mailings and special offers from a number of fine companies whose products and services relate directly to the specific interests, hobbies, and other information indicated above. Through this selective program, you will be able to obtain more information about activities in which you are involved and less about those in which you are not. Please check here if, for some reason, you would prefer *not* to participate in this opportunity.

Failure to return this card will not diminish your warranty rights.

Copyright © 2005 All Rights Reserved

Please seal with tape. Do not staple.



**OFFICIAL SWEEPSTAKES RULES: NO PURCHASE NECESSARY TO WIN. PURCHASES DO NOT ENHANCE CHANCES OF WINNING.** Sweepstakes is sponsored by Equifax Marketing Services ("EMS"), and will be offered in a number of different presentations. EMS will award the following prizes: one 1st Prize of \$50,000; one 2nd Prize of \$25,000; and five 3rd Prizes of \$5,000. Sweepstakes begins May 20, 2005 at 12:00 a.m. E.D.S.T., and ends December 31, 2007 at 11:59 p.m. E.S.T. Enter by completing this product registration or printing a 3" x 5" card with your name, address, city, state, ZIP Code, and the words "\$100,000 Give Away VT" and mailing the entry form or card to P.O. Box 173131, Dept. TNR, Denver, CO 80217-3031. Entries must be received before December 31, 2007 and are limited to one per household. Mechanically reproduced entries not acceptable. Not responsible for late, lost or illegible entries. A random drawing will be held on or around March 31, 2008. Odds of winning depend on the total number of entries received. Open to legal U.S. residents at least 18 years old, except EMS employees and their immediate family (spouse, parents, or children). Winner will be notified by certified mail at the address provided on the entry form. Each winner must submit a signed and notarized affidavit of eligibility within thirty days of notification of their prospective winner status, and if a satisfactory affidavit is not received within that time, an alternate winner will be selected. Alternate winners are subject to all eligibility requirements. By submitting an entry, winners agree to the use of their name, address, and photograph for advertising/publicity purposes without compensation. All entries become the property of EMS. In case of a dispute of any online entry, the authorized account holder of the e-mail address used to enter the sweepstakes will be deemed to be the entrant. Winner may be required to show proof of being the "authorized account holder." Winner is solely responsible for all taxes. All federal, state and local laws apply. EMS reserves the right to correct errors in sweepstakes materials. Offer void in Florida and where prohibited by law. For list of winners, send a self-addressed, stamped envelope to: "\$100,000 Give Away VT", P.O. Box 173133, Denver, CO 80217-3133.

1. 1.  Mr. 2.  Mrs. 3.  Ms. 4.  Miss TNR01-01

First Name Initial Last Name

Street Apt. No.

City State ZIP Code

E-mail Address:

2. Your date of birth:  /  /

3. Marital status: 1.  Married 2.  Single

4. Date of purchase:  /  /

5. Serial number:

6. Model number:

7. Please indicate the Nikon camera this accessory will be used with.

Camera model:  
 Camera model:  
 Camera model:  
 Camera model:  
 Camera model:

8. Dealer name:

9. Price paid: (excluding tax) \$  .00

10. Where was this product purchased?
- 1.  Received as a gift
  - 2.  Camera store
  - 3.  Discount store (Kmart, Wal-mart, etc.)
  - 4.  Department store
  - 5.  Mail order
  - 6.  Catalog showroom
  - 7.  Via the Internet
  - 8.  Electronics store
  - 9.  Other

11. What is your level of photographic experience?
- 1.  Beginner
  - 2.  Amateur
  - 3.  Advanced Amateur
  - 4.  Professional

12. Who or what most influenced this purchase?
- 1.  Dealer
  - 2.  A professional
  - 3.  Friend/Relative
  - 4.  Previous experience w/Nikon
  - 5.  Nikon reputation
  - 6.  TV ad
  - 7.  Dealer/Store ad
  - 8.  Nikon magazine ad
  - 9.  Magazine article
  - 10.  Other

13. How will you use this product? (check only one)
- 1.  Commercial/Industrial/Government
  - 2.  Scientific/Medical
  - 3.  Photo Journalism
  - 4.  Creative/Hobby
  - 5.  Family/Travel
  - 6.  Sport/Outdoors
  - 7.  Other

14. What other products do you own or intend to purchase?
- |                    | Currently Own            | Intend to Purchase       |
|--------------------|--------------------------|--------------------------|
| Digital Camera     | <input type="checkbox"/> | <input type="checkbox"/> |
| Digital SLR Camera | <input type="checkbox"/> | <input type="checkbox"/> |
| Film SLR Camera    | <input type="checkbox"/> | <input type="checkbox"/> |
| Compact Camera     | <input type="checkbox"/> | <input type="checkbox"/> |
| Film Scanner       | <input type="checkbox"/> | <input type="checkbox"/> |
| Color Printer      | <input type="checkbox"/> | <input type="checkbox"/> |
| Lens               | <input type="checkbox"/> | <input type="checkbox"/> |

15. Not including yourself, what is the GENDER and AGE (in years) of children and other adults living in your household?
- | A. No one else in household |                             |                           | B. Child under 1 year       |                             |                           |
|-----------------------------|-----------------------------|---------------------------|-----------------------------|-----------------------------|---------------------------|
| Male                        | Female                      | Age                       | Male                        | Female                      | Age                       |
| 1. <input type="checkbox"/> | 2. <input type="checkbox"/> | <input type="text"/> yrs. | 1. <input type="checkbox"/> | 2. <input type="checkbox"/> | <input type="text"/> yrs. |
| 1. <input type="checkbox"/> | 2. <input type="checkbox"/> | <input type="text"/> yrs. | 1. <input type="checkbox"/> | 2. <input type="checkbox"/> | <input type="text"/> yrs. |

16. Occupation: (check all that apply)
- |                                    | You                      | Spouse                      |
|------------------------------------|--------------------------|-----------------------------|
| Professional/Technical             | <input type="checkbox"/> | 1. <input type="checkbox"/> |
| Upper Management/Executive         | <input type="checkbox"/> | 2. <input type="checkbox"/> |
| Middle Management                  | <input type="checkbox"/> | 3. <input type="checkbox"/> |
| Sales/Marketing                    | <input type="checkbox"/> | 4. <input type="checkbox"/> |
| Clerical/Service Worker            | <input type="checkbox"/> | 5. <input type="checkbox"/> |
| Tradesman/Machine Operator/Laborer | <input type="checkbox"/> | 6. <input type="checkbox"/> |

17. Are you or your spouse:
- |                               | You                      | Spouse                      |
|-------------------------------|--------------------------|-----------------------------|
| A Homemaker?                  | <input type="checkbox"/> | 1. <input type="checkbox"/> |
| Retired?                      | <input type="checkbox"/> | 2. <input type="checkbox"/> |
| A Student?                    | <input type="checkbox"/> | 3. <input type="checkbox"/> |
| Self Employed/Business Owner? | <input type="checkbox"/> | 4. <input type="checkbox"/> |
| Working from a Home Office?   | <input type="checkbox"/> | 5. <input type="checkbox"/> |
| In the Military?              | <input type="checkbox"/> | 6. <input type="checkbox"/> |
| A Veteran?                    | <input type="checkbox"/> | 7. <input type="checkbox"/> |

18. Which group describes your annual family income?
- |  |  |
|--|--|
| 01. <input type="checkbox"/> Under \$15,000    | 08. <input type="checkbox"/> \$75,000-\$99,999   |
| 02. <input type="checkbox"/> \$15,000-\$19,999 | 09. <input type="checkbox"/> \$100,000-\$124,999 |
| 03. <input type="checkbox"/> \$20,000-\$29,999 | 10. <input type="checkbox"/> \$125,000-\$149,999 |
| 04. <input type="checkbox"/> \$30,000-\$39,999 | 11. <input type="checkbox"/> \$150,000-\$174,999 |
| 05. <input type="checkbox"/> \$40,000-\$49,999 | 12. <input type="checkbox"/> \$175,000-\$199,999 |
| 06. <input type="checkbox"/> \$50,000-\$59,999 | 13. <input type="checkbox"/> \$200,000-\$249,999 |
| 07. <input type="checkbox"/> \$60,000-\$74,999 | 14. <input type="checkbox"/> \$250,000 & over    |

19. Level of education: (check highest level completed)
- 1.  Completed High School
  - 2.  Completed College
  - 3.  Completed Graduate School

20. Which credit cards do you use regularly?
- 1.  American Express, Diners Club
  - 2.  MasterCard, Visa, Discover
  - 3.  Department Store, Oil Company, etc.
  - 4.  Do not use credit cards

21. For your primary residence, do you:
- 1.  Own?
  - 2.  Rent?

22. Please tell us how many magazines your household:
- | A. Subscribes to                          |   | B. Purchases at Stores/Newsstands        |  |
|---|---|--|--|
| 1. <input type="checkbox"/> 1-3 per month | 1. <input type="checkbox"/> 1-3 per month | 2. <input type="checkbox"/> 4+ per month | 2. <input type="checkbox"/> 4+ per month |

23. Which of the following do you plan to do within the next 6 or 12 months?
- |                          | 1-6 Months               | 7-12 Months                 |
|--------------------------|--------------------------|-----------------------------|
| Buy/Lease a New Vehicle  | <input type="checkbox"/> | 1. <input type="checkbox"/> |
| Buy/Lease a Used Vehicle | <input type="checkbox"/> | 2. <input type="checkbox"/> |

Register ONLINE at  
[www.prodregister.com/nikon](http://www.prodregister.com/nikon)  
**Nikon**



AF-S ED24-70/2.8G IF

***Nikon***

**IMPORTANT NOTICE:**

**YOU MUST PRESENT THE ATTACHED WARRANTY FORM (PART 1)  
TOGETHER WITH PROOF-OF-PURCHASE AND PROOF-OF-PURCHASE  
DATE TO OBTAIN WARRANTY SERVICE.**

THIS FORM MUST BE PRESENTED FOR WARRANTY SERVICE

L	
---	--

This is your Nikon Inc. One Year Limited Warranty (valid in the Continental United States, Alaska, Hawaii, Puerto Rico and U.S. Virgin Islands).

~~YOU MUST PRESENT THIS FORM PART 1 TOGETHER WITH PROOF-OF-PURCHASE AND PROOF-OF-PURCHASE DATE TO OBTAIN WARRANTY SERVICE.~~ AF 8 ED 24 70/2. 89 1F

This Nikon product is warranted by Nikon Inc. to be free from defects in materials and workmanship for a period of one (1) year from the date of purchase. During this period, if this product is found to be defective in materials or workmanship, Nikon Inc. or its authorized service station will at its option either repair or replace this product without charge subject to the following limitations and exclusions:

This warranty extends to the original consumer purchaser only and is not assignable or transferable.

This warranty shall not apply to the following:

1. Any product which has been subject to misuse, alteration, abuse, negligence or accident or has its serial number altered or removed.
2. Any defects or damage directly or indirectly caused by the use of unauthorized replacement parts and/or service performed by unauthorized personnel.
3. Any batteries.

**THIS WARRANTY IS IN LIEU OF ALL OTHER WARRANTIES, EXPRESSED OR IMPLIED, INCLUDING BUT LIMITED TO ANY IMPLIED WARRANTY OF MERCHANTABILITY OR FITNESS FOR A PARTICULAR PURPOSE PROVIDED HOWEVER, THAT IF THE DISCLAIMER OF IMPLIED WARRANTIES IS INEFFECTIVE UNDER APPLICABLE LAW, THE DURATION OF ANY IMPLIED WARRANTIES ARISING BY OPERATION OF LAW SHALL BE LIMITED TO ONE (1) YEAR FROM THE DATE OF PURCHASE OR SUCH LONGER PERIOD AS MAY BE REQUIRED BY APPLICABLE LAW. UNDER NO CIRCUMSTANCES SHALL NIKON INC. BE LIABLE FOR ANY CONSEQUENTIAL, INCIDENTAL, SPECIAL, DIRECT, INDIRECT, EXEMPLARY OR PUNITIVE DAMAGES RELATING TO OR ARISING OUT OF ANY BREACH OF THIS WARRANTY OR ANY OTHER CLAIM REGARDING THIS PRODUCT, INCLUDING BUT NOT LIMITED TO CLAIMS OF NEGLIGENCE, STRICT LIABILITY OR BREACH OF CONTRACT.**

Some states do not allow (a) limitations on how long an implied warranty lasts or (b) the exclusion or limitation of incidental or consequential damages so the above limitations or exclusions may not apply to you. This warranty gives you specific legal rights and you may also have other rights which vary from state to state.

In order to obtain performance of the warranty obligations, the original consumer purchaser must return this warranty and

this Nikon product together with proof-of-purchase and proof-of-purchase date (bill of sale) either in person or addressed to the warranty department of Nikon Inc., New York headquarters at 1300 Walt Whitman Road, Melville, New York 11747-3064, Los Angeles area branch at 841 Apollo Street, Suite 100, El Segundo, California 90245-4721, or any one of Nikon Inc's authorized service stations at their respective addresses. To locate Nikon AUTHORIZED SERVICE STATIONS, please visit [www.nikonusa.com](http://www.nikonusa.com) and click the Service tab, or call 800-NIKONSV (800-645-6678) toll free.

The original consumer purchaser in returning this Nikon product must prepay all postage, shipping, transportation, insurance and delivery costs to the repair facility.

LAST NAME \_\_\_\_\_

FIRST NAME \_\_\_\_\_

ADDRESS \_\_\_\_\_

CITY \_\_\_\_\_ STATE \_\_\_\_\_

ZIP \_\_\_\_\_

THIS WARRANTY FORM MAY NOT BE REPRODUCED OR COPIED AND SHALL BE VALID ONLY WITH PRODUCTS SOLD BY NIKON INC.

**Nikon** PART 1



## **Nikon AUTHORIZED SERVICE STATIONS**

**For a list of local Nikon AUTHORIZED SERVICE STATIONS,  
please visit [nikonusa.com](http://nikonusa.com) and proceed to the Service tab, or call  
800 NIKONSV (800 645 6678) toll free.**

L

AF-S ED24-70/2.8G IF

Retain this Worldwide Warranty with proof-of-purchase for your records

## Nikon ONE YEAR WORLDWIDE LIMITED WARRANTY

(Excluding the Continental United States, Alaska, Hawaii, Puerto Rico and U.S. Virgin Islands)

**Welcome to the worldwide family of Nikon owners.**

Your Nikon equipment has been manufactured to the highest quality standards by NIKON CORPORATION, Tokyo, Japan.

This warranty entitles the original consumer to worldwide warranty protection in accordance with the terms and conditions. It affords the consumer warranty protection outside the continental United States, Alaska, Hawaii, Puerto Rico and the U.S. Virgin Islands. Such warranty coverage is supplemental to and not in lieu of the United States Nikon One Year Limited Warranty which is received by the customer with the Nikon product.

This Nikon product except for batteries is warranted by **NIKON CORPORATION, Tokyo, Japan** to be free from defects in materials or workmanship for a period of one year from the date of purchase. During this period any one of the worldwide repair facilities listed on the reverse side will repair without charge any parts or assembly of parts found to be defective in materials or workmanship subject to the following limitations:

1. This warranty extends to the original consumer purchaser only and is not assignable or transferable.

2. This warranty shall not extend to any product which has been subject to misuse, abuse, negligence, accident or unauthorized repair.

**All warranties implied by law including any warranty of merchantability or fitness for a particular purpose shall be of a duration of one (1) year from date of purchase. The warranties herein are expressly in lieu of all other express warranties including the payment of consequential or incidental damages for the breach of any warranty.**

**No warranties, whether express or implied, including the warranties of merchantability or fitness for a particular purpose are made by any distributor or dealer of the product herein warranted; nor shall such dealer or distributor be liable for the payment of any direct incidental or consequential damages.**

In order to obtain worldwide service, the consumer should return the Nikon product, either in person or addressed to the Warranty Department of any authorized service repair station listed on the reverse side together with proof-of-purchase and this warranty. The original consumer in returning this product must prepay all postage, shipping, transportation, insurance and delivery costs to the repair facility.

For prompt response of worldwide warranty inquiries, please direct all correspondence to:

**NIKON CORPORATION**

LAST  
NAME \_\_\_\_\_

FIRST  
NAME \_\_\_\_\_

ADDRESS \_\_\_\_\_

CITY \_\_\_\_\_

STATE \_\_\_\_\_

ZIP \_\_\_\_\_

**Nikon** PART 2

# Nikon SERVICE FACILITIES (As of May 2008)

<p><b>Argentina:</b> Eduardo Udenio y Cia. S.A.C.I.F.I. <b>Australia:</b> Nikon Australia Pty Ltd.</p>	<p>ayacucho 1235, Buenos Aires (1111) <b>Phone: +54-11-48111864</b> Unit F1, Lidcombe Business Park, 3-29 Birnie Avenue, Lidcombe NSW 2141 Phone: +61-2-8748-5200 Praterstr. 60/2/17, A-1020 Wien Phone: +43-1-2180910 Boomssesteenweg 77, B-2630 Aartselaar Phone: +32-3-870-5900 Rua Martim Francisco, 438, 01226-000, São Paulo-SP Phone: +55-11-38252255 1366 Aerowood Drive, Mississauga, Ontario L4W 1C1 Phone: +1-905-6259910 Edificio Terragolf, Calle August Leguia sur, No. 160, Santiago Phone: +56-2-234-0223 57, Xuanwumen Xidajie, Beijing 100803 Phone: +86-010-6307 4142 Rm.2608-2610, Tian An Center, No. 338, West Nan Jing Road, Shanghai 200003 Phone: +86-021-63720566 Suite 307, Tower E1, Oriental Plaza, No.1 East Chang An Ave., Dong Cheng District, Beijing China 100738 Phone: +86-010-85151230 Rm. A, 10/F, Shidu Mansion, No.58 Beixin Street, Chengdu, China 610016 Phone: +86-028-86736282 Rm.05-06, 13/F, East Tower, Fortune Plaza, 116 Ti Yu Dong Rd. Guangzhou, China 510620 Phone: +86-020-38932135 Kodanska 46, 100 10 Praha 10 Phone: +420-2-67154560 Lerso Parkalle 101, DK 2100 Kobenhavn Phone: +45-39-162020 Calle Santiago No. 553, Gazcue, Santo Domingo Phone: 9-1-809-334-0000 Ojahaanrinne 4, 01600 Vantaa Phone: +358-9-5660060 191, Rue du Marché Rollay, 94504 Champigny Sur Marne Cedex Phone: +33-1-45164516 33 Xariton Street, 175 64 Paleo Faliro, Athens Phone: +30-1-9410888 Tiefenbroicher Weg 25, 40472 Düsseldorf Phone: +49-211-94-140 Suite 1001, 10/F, Cityplaza One, 1111 King's Road, Taikoo Shing Phone: +852-2902-9000 Devai Utca 26-28, H-1134 Budapest Phone: +36-1-350-5525 306, Veena Killeddar Bldg., Pais Street, K. Khadye Marg, Mumbai 400 011 Phone: +91-22-3079284 Plot no 17, Sector 32, Institutional Area, Gurgaon 122002, Haryana Phone: +91(0)124-4688-500 12, J.L.Nehru Road, Calcutta-700 013 Phone: +91-33-2280091, 2285857 Shop No. 5, Saddlers II Basement, Vijayashanthi Complex, 3 Blackers Road, Anna Salai, Chennai 600 002 Phone: +91-44-8594392 Komplex Hotel Dusit Mangga Dua Ruko No. 16, Jalan Mangga Dua Raya, Jakarta 10730 Phone: +62-21-6127654 380, Richmond Road, Kingston, Surrey KT2 5PR Phone: +44-181-541-4440 P.O. Box 1686, Tel-Aviv 61016 Phone: +972-3-5603947 Via Tabacchi 33, 10132 Torino Phone: +39-011-8996804 12th Floor, Seoul Chamber Of Commerce &amp; Industry Building, 4-45, Namdmoon-Ro, Jung-Ku, Seoul 100-743 Phone: +82-02-6050-1800 P.O. Box 3555, Safat, P. Code 13036-Safat, Kuwait Phone: +965-5312960-8 11th Floor, Block A Menara PKNs No. 17, Jalan Yong Shook Lin 46050 Petaling Jaya Selangor Darul Ehsan Phone: +60-03-7809 3688 Dr. Jimenez 159, Col. Doctores, D.F. Mexico, Mexico 06720 Phone: +52-5-5887011, 5884744</p>	<p><b>Netherlands:</b> Nikon Service Point Netherlands <b>New Caledonia:</b> Phocidis <b>New Zealand:</b> T.A. Macalister Ltd. <b>Norway:</b> Interfoto A.S. <b>Panama:</b> Panama y Centro America Telefoto Internacional Zona Libre, S.A. <b>Poland:</b> Nikon Polska Sp.Zo.o. <b>Portugal:</b> Atlant Photo Image S.L. <b>Reunion:</b> Sogerep <b>Saudi Arabia:</b> Ahmed Abdulwahed Trading Co. <b>Singapore:</b> Nikon Singapore Pte. Ltd. <b>Spain:</b> Finicon S.A. <b>Sweden:</b> Nikon Nordic AB <b>Switzerland:</b> Nikon AG <b>Taiwan:</b> Yang Tai Trading Corp. Ltd. <b>Thailand:</b> Niks (Thailand) Co., Ltd. <b>Turkey:</b> Teleoptik <b>U.A.E.:</b> Grand Stores <b>United Kingdom:</b> Nikon U.K. Ltd. <b>Uruguay:</b> Udenio Uruguay S.R.L. <b>U.S.A.:</b> Nikon Inc. <b>Vietnam:</b> Pham The-Camera Repairing Center <b>Yugoslavia:</b> Refot B <b>Japan:</b> Nikon Imaging Japan Sapporo Service Center Sendai Service Center Shinjuku Service Center Ginza Service Center Nagoya Service Center Osaka Service Center Fukuoka Service Center Shinhokkaido Bldg., 2F, 4-3-1, Nishi, Kitashichijo, Kita-ku, Sapporo 060-0807 Phone: +81-11-717-5781 Lunar Sendai, 7F, 2-15-1, Honcho, Aoba-ku, Sendai 980-0014 Phone: +81-22-227-1237 Shinjuku L-Tower, 28F, 1-6-1, Nishi-Shinjuku, Shinjuku-ku, Tokyo 163-1528 Phone: +81-3-3344-1835 Strata Ginza Bldg., 2F, 7-10-1, Ginza, Chuo-ku, Tokyo 104-0061 Phone: +81-3-5537-1434 Chugai Tokyo Kaijo Bldg., 6F, 3-20-17, Marunouchi, Naka-ku, Nagoya 460-0002 Phone: +81-52-954-0122 Hilton Plaza West Office Tower, 13F, 2-2-2, Umeda, Kita-ku, Osaka 530-0001 Phone: +81-6-6348-9730 Hakata Ekimae Daiichi Seimei Bldg., 1F, 1-4-1, Hakata Ekimae, Hakata-ku, Fukuoka 812-0011 Phone: +81-92-415-6350</p>
<p><b>Austria:</b> Krca Kamera Service <b>Belgium:</b> H. De Beukelaer &amp; Co. N.V./S.A. <b>Brazil:</b> T. Tanaka S/A <b>Canada:</b> Nikon Canada Inc. <b>Chile:</b> Villamar Ltda. <b>China:</b> Beijing Hua Xun Nikon Service Center Nikon Imaging (China) Sales Co., Ltd. Shanghai Service Centre Nikon Imaging (China) Sales Co., Ltd. Beijing Branch Service Centre Nikon Imaging (China) Sales Co., Ltd. Chengdu Service Centre Nikon Imaging (China) Sales Co., Ltd. Guangzhou Branch Service Centre <b>Czech Rep.:</b> Nikon SRO <b>Denmark:</b> Dansk Fotoagentur, A/S <b>Dominican Republic:</b> Imagenes Fotograficos F.J. S.A. <b>Finland:</b> Nikon Svenska AB Finnish branch office <b>France:</b> Nikon France S.A.S. <b>Greece:</b> D. &amp; J. Damkalidis S.A. <b>Germany:</b> Nikon GmbH <b>Hong Kong:</b> Nikon Hong Kong Ltd. <b>Hungary:</b> Nikon Kft <b>India:</b> Mazda Camera Centre Nikon India Pvt. Ltd. Capital Electronics Camera Service Centre <b>Indonesia:</b> PT Alta Samaraya <b>Ireland:</b> Nikon U.K. Ltd. <b>Israel:</b> Hadar Photo Supply Agencies Ltd. <b>Italy:</b> Nital S.p.A. <b>Korea:</b> Nikon Imaging Korea Co., Ltd. <b>Kuwait:</b> Ashraf &amp; Co., Ltd. <b>Malaysia:</b> Nikon (Malaysia) Sdn. Bhd. <b>Mexico:</b> Mayoristas Fotograficos, S.A. de CV.</p>		

Printed in Japan  
TT8H20000703(11)  
8YA101U1-07

**NIKON CORPORATION, Tokyo, Japan**



1 YEAR WARRANTY + 4 YEARS EXTENDED SERVICE COVERAGE =

**5 YEARS OF PROTECTION**

for Nikkor AF and PC Lenses



**Please note: You must register this ESC with Nikon Inc. within 10 days of your retail purchase. See inside for details.**

**PIN 5324**





# Nikkor AF or PC Nikkor

1 Year Warranty + 4 Year Extended Service Coverage =

# 5 YEARS OF PROTECTION



1. \_\_\_ Mr. \_\_\_ Mrs. \_\_\_ Ms.

First Name	Initial	Last Name
<input type="text"/>	<input type="text"/>	<input type="text"/>

Street	Apt. No.	
<input type="text"/>	<input type="text"/>	
City	State	Zip Code
<input type="text"/>	<input type="text"/>	<input type="text"/>

E-mail
<input type="text"/>

2. Dealer Name

<input type="text"/>		
City	State	Zip Code
<input type="text"/>	<input type="text"/>	<input type="text"/>

3. Your Telephone #

<input type="text"/>	-	<input type="text"/>	-	<input type="text"/>
----------------------	---	----------------------	---	----------------------

4. Serial #

<input type="text"/>	<input type="text"/>	<input type="text"/>	<input type="text"/>	<input type="text"/>	<input type="text"/>
----------------------	----------------------	----------------------	----------------------	----------------------	----------------------

5. Date of Purchase

<input type="text"/>	/	<input type="text"/>	/	<input type="text"/>
Month		Day		Year

6. Lens Model: \_\_\_\_\_ mm f/ \_\_\_\_\_

7. Model (check one) D40 \_\_\_\_\_ D40X \_\_\_\_\_ D50 \_\_\_\_\_ D70/D70S \_\_\_\_\_ D80 \_\_\_\_\_ D100 \_\_\_\_\_  
 D200 \_\_\_\_\_ D1X \_\_\_\_\_ D2X/D2XS \_\_\_\_\_ D2H \_\_\_\_\_ Other \_\_\_\_\_

# **Nikon** Nikkor AF/PC-Nikkor Lens 1 Year Warranty + 4 Year Extended Service Coverage = 5 Years of Protection

---

To obtain Extended Service Coverage (ESC), you must register with Nikon Inc. within ten days from the date of the original retail purchase of this NIKKOR AF or PC-NIKKOR lens. Failure to register invalidates your ESC. To register, complete and mail the attached postcard to Nikon Inc.

This ESC becomes valid upon the expiration of the Nikon Inc. limited warranty that was included with your NIKKOR AF or PC-NIKKOR lens (1 year parts & labor) and provides the coverage specified below for a period of four additional years for a total of **5 years of protection**.

During the period of your ESC, repairs resulting from defects in materials or workmanship will be performed at no-charge by Nikon Inc. subject to the following:

1. ESC applies to the original purchaser only and is not transferable or assignable.
2. ESC does not cover repairs resulting from or due to misuse, abuse, neglect or accident.
3. ESC does not cover repairs resulting directly or indirectly from the use of unauthorized replacement parts, accessories and/or service performed by unauthorized personnel.
4. Coverage dates will be determined by the date indicated on your bill-of-sale.
5. ESC is valid only in the USA, Puerto Rico and the US Virgin Islands.

6. ESC can be performed only by Nikon Inc.'s Melville, NY or El Segundo, CA Service Stations identified on the product's original warranty.

7. ESC is valid only for the NIKKOR AF or PC-NIKKOR lens indicated on the reverse and only when that product is purchased by a retail consumer from an authorized Nikon dealer who purchased it from Nikon Inc. Such NIKKOR AF or PC-NIKKOR lenses may be identified by the Nikon Inc. warranty. Each serial number is computer printed on the warranty. Blank or hand-entered serial numbers are not valid. NIKKOR AF or PC-NIKKOR lenses sold by other Nikon distributors throughout the world are not eligible.

#### TO OBTAIN ESC SERVICE:

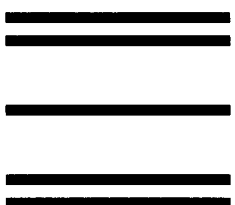
Return your NIKKOR AF or PC-NIKKOR lens in person or addressed to Nikon Inc.'s Melville, NY or El Segundo, CA Service Stations identified on the product's original warranty together with:

- This copy of the ESC document.
- The original (white) product warranty.
- Your retail bill-of-sale indicating the purchase date.

You must pay all postage, shipping, transportation and insurance costs to the repair facility.

***FOR ASSISTANCE WITH YOUR ESC, CALL 1-800-NIKON-SV***

TNX01-01



PLACE  
STAMP  
HERE

**Nikon**<sup>®</sup>

**NIKKOR LENS ESC REGISTRATION**

**P. O. BOX 173031**

**DENVER, CO 80217-3031**

